



Company Presentation

TECHCEM Consulting and Engineering

One Source of Consulting and Engineering solutions for Cement,
Mineral and Power Industries



Mission & Vision

MISSION

to create substantial value for our clients by anticipating and understanding their needs and advocating purposive solutions for improvement of their business performance and thereby create value for other stakeholders as well.

VISION

To be a Global Technical Consulting Company known for its Quality, Engineering Skills, Timeliness and in-depth analysis in the field of Design, Engineering & Project Management.



About TECHCEM

WE OFFER

- *Process Engineering for Cement and Mineral Industries.*
- *Mechanical Engineering for Plant Design, Material Handling, Gas Handling, Environmental Impact, System Design, Procurement Assistance, Review engineering*
- *Civil and Structural Engineering*
- *Electrical, Instrument and Control Engineering*

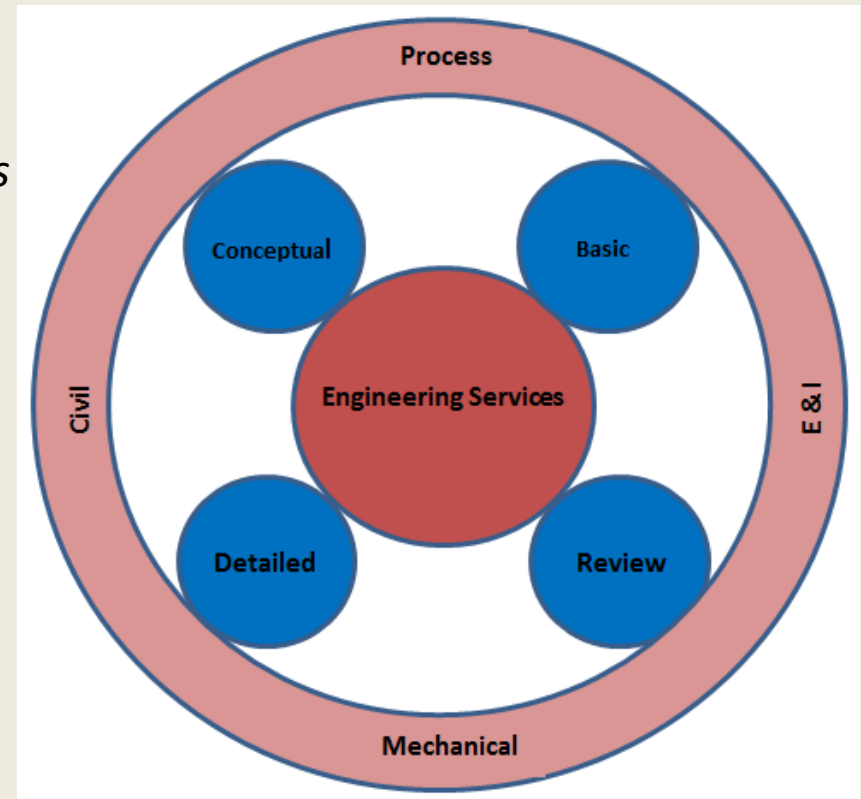


Who is TECHCEM?

TEHCCEM is the growing engineering consultancy firm providing comprehensive engineering solutions for a wide range of services in Cement, Power and Mineral processing industries. By the confidence and experience gained by its staff, TECHCEM has capability to serve higher production capacity plants. TECHCEM has a vibrant team of engineers who as experts analyze and provide optimized solutions for the plant systems.

SERVICES

- * *Engineering Services : See Fig.*
- * *Operation and Maintenance Expert Services*
- * *Technical Audits and Due Diligence*
- * *Project Management*
- * *Operation Training : Class room, In Plant & On Job Training*



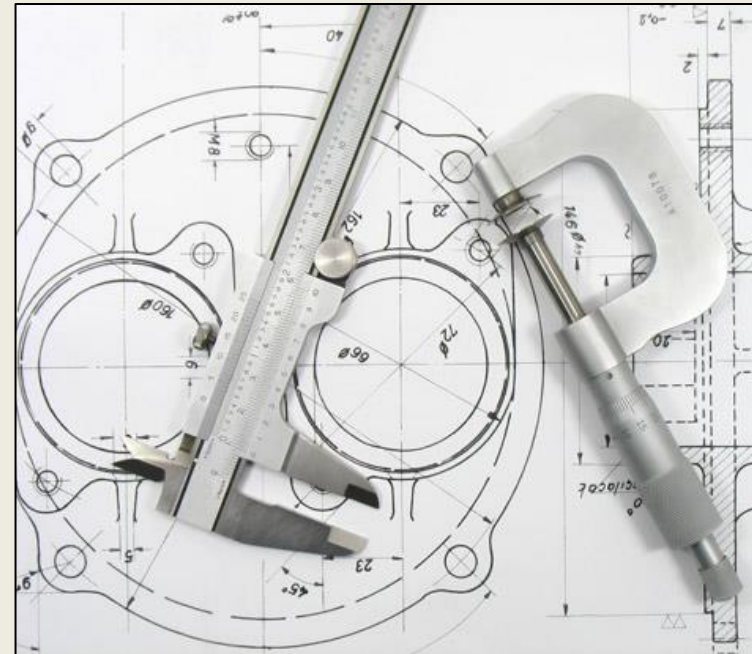
Cement & Mineral Processing

- *Process Auditing and Capacity Upgrades*
- *Process Calculations and Flow Diagrams*
- *Plant Commissioning*
- *Raw Mix Design*
- *Process Selection and Equipment Sizing*
- *Plant Process Design*
- *Process Diagrams and Mass Flow Diagrams*
- *Process Optimization of Existing plants*
- *Troubleshooting*
- *PIDs, BIDs,*



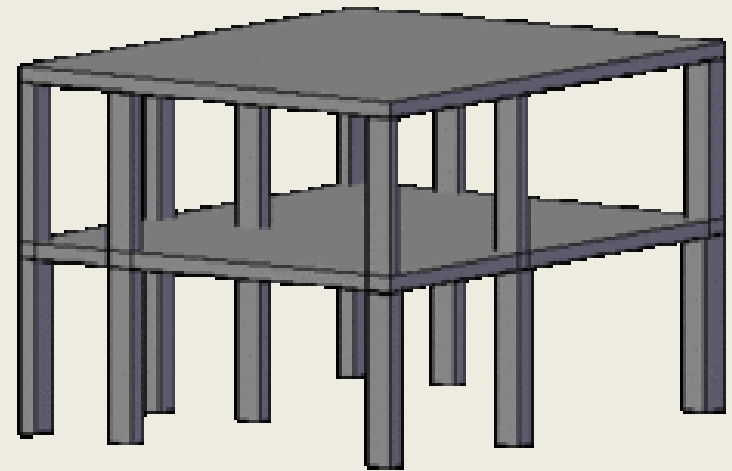
Mechanical Engineering

- *System Design and Equipment Integration*
- *Design Calculation and Equipment Sizing*
- *Plant Layout and Flow Sheets*
- *General Arrangement Drawings*
- *Fabrication Drawings*
- *Procurement Assistance e.g. Tender Preparation, Offer Evaluation, Comparative Statement etc.*
- *Contract Assistance e.g. Contract Documentation*
- *Bill of Quantities and CAPEX estimation*



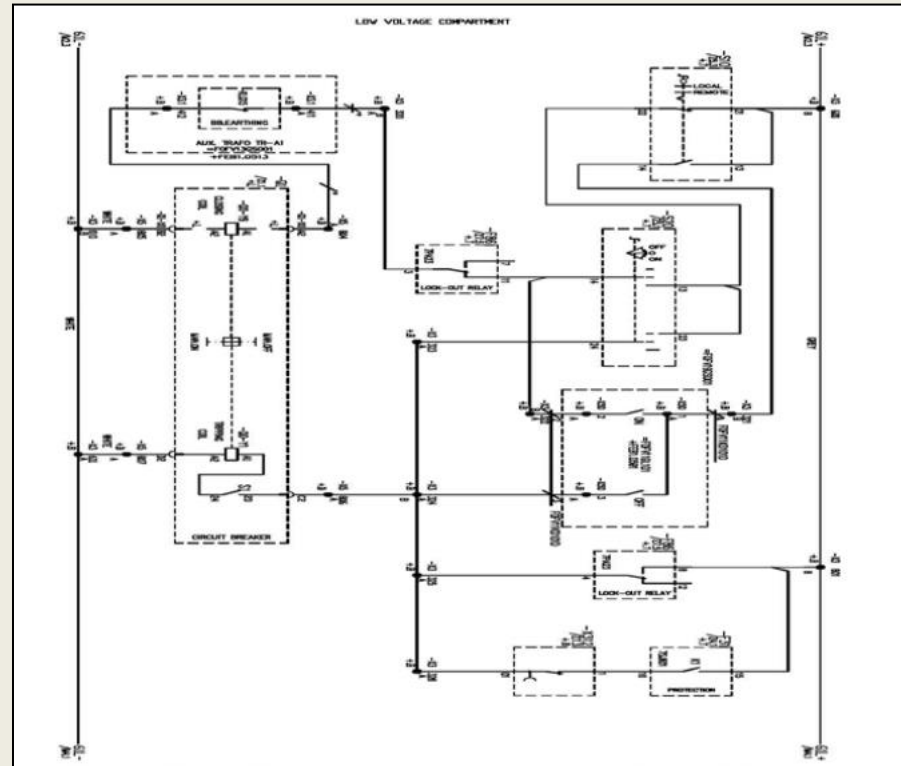
Civil & Structural Engineering

- *Civil and Structural Analysis and Design*
- *STAAD modeling*
- *Civil arrangement drawings*
- *Structural Arrangement Drawings*
- *Shop Floor Fabrication Drawings*
- *Civil and Structural BOQ calculation*
- *Evaluation and Review of Geo-Technical Reports*
- *Bar Bending Schedule*



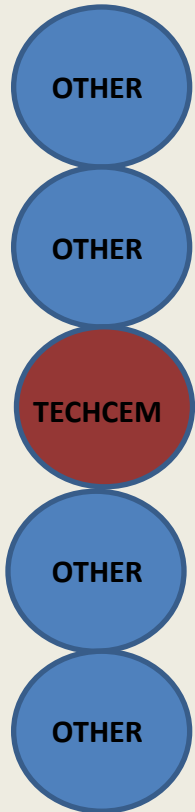
Electrical and Instrumentation

- *Power Distribution System*
- *Instrumentation and Control*
- *Single Line Diagrams*
- *Programmable Logic Control*
- *Transformers*
- *Switchyard*
- *Short Circuit Analysis*
- *Start Stop Sequences and P&IDs*



Why TECHCEM ?

- *One Source of all engineering needs*
- *Efficient, Effective and Economic engineering solutions*
- *Process Know-How of Cement and Mineral Industries*
- *Familiarity with technology from world class OEMs*
- *Engineering Data Bank*
- *Support from Plant Concept up to Plant Commissioning*
- *On site technical support*
- *Troubleshooting*





Contact Us

TECHCEM Consulting and Engineering

Mumbai.

Email: info@techcem.net

Call **+91 9594551975**